

# Configure Your Printer Guidebook



Study Material  
Crave Interactive



# Connect & Configure Your Printer

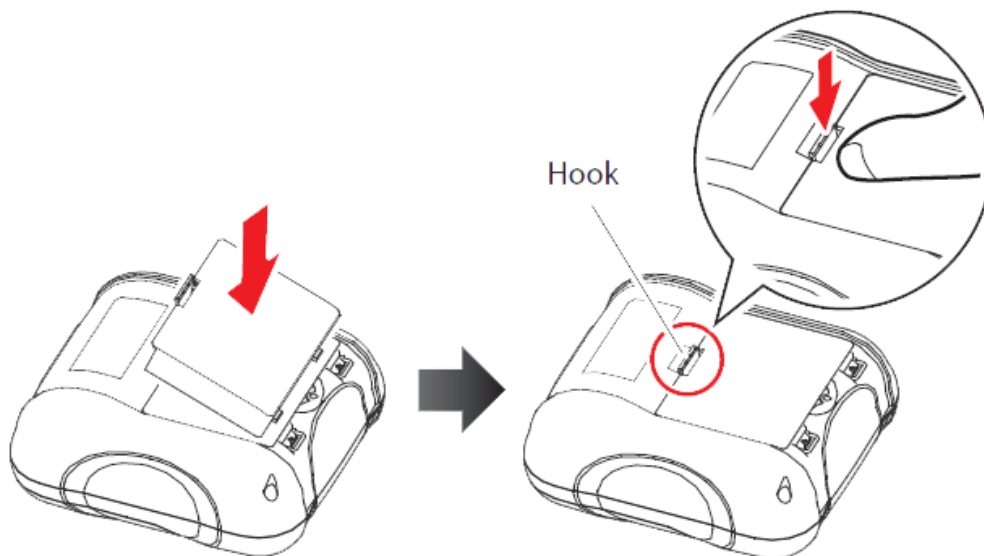
The following article describes how to setup and connect your Bluetooth printer to your Crave console. Only one Bluetooth printer can be paired to a Crave Console at any one time. If you use multiple printers and consoles in your venue, the following information will also explain how to ensure that the correct printer is paired uniquely to the required Crave console.

## How to Connect & Configure Your Printer

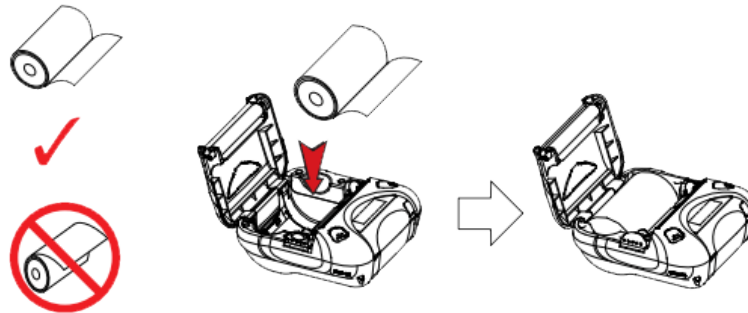
Your printer will delivered with a battery pack, battery charger and sample printer rolls to get you started

Unpack your printer and accessories. If any parts are damaged please contact our Customer Success team

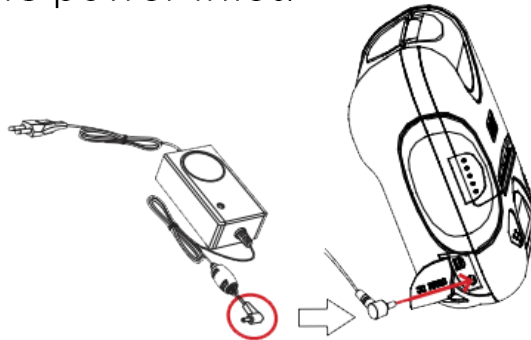
1. Ensure that the battery pack is inserted into the printer:



2. Insert the Printer roll in the correct orientation as indicated:



3. Connect the battery charger to the power supply and to the printer's power inlet:



4. Ensure the power supply is switched on, then press and hold the power button for 5 seconds to switch on the printer:



**Please Note:** Please ensure the battery pack is inserted for full printing functionality. The printer can be switched on without the battery pack but will not print.

## How to Pair Your Printer

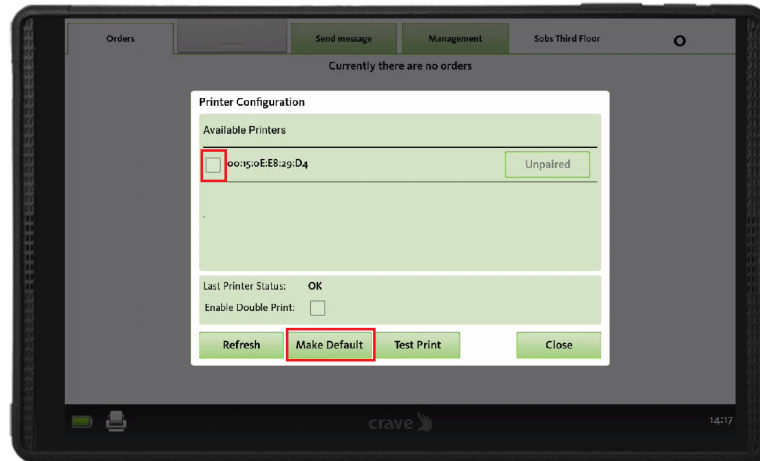
The following steps describe how to pair your printer to the selected Crave Console

1. Switch off all Existing Printers
  - If your property uses more than one Bluetooth printer ensure that all other printers are switched off by holding down the power button until the printer display switches off.
2. Switch on the Printer
  - Ensure the printer you need to pair is switched on and the display is lit.
3. Click on the Printer Icon
  - Click on the printer icon located in the bottom left hand corner
  - Please wait a moment until the available list of printers is populated

**Please Note:** If the printer icon is missing, please contact our Customer Success team for further assistance.

#### 4. Select Printer

- Select the tick box next to the printer you would like to pair.



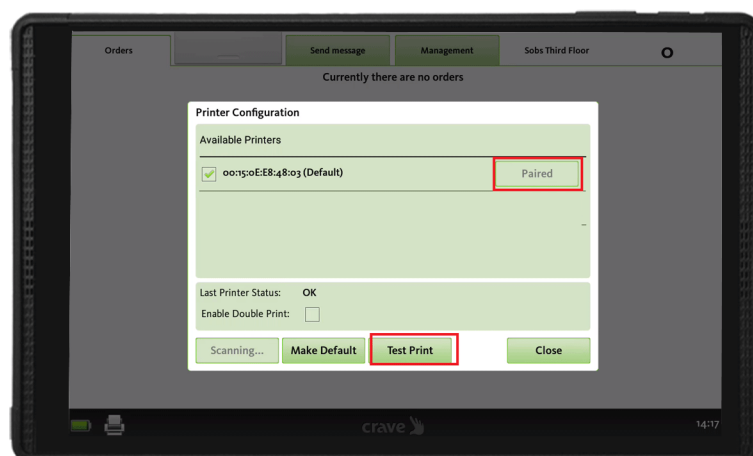
**Please** ensure you have selected the Make Default option to ensure that this will be the default printer for your console.

#### 5. Printer Pairing will now Take Place

- An Android menu will now appear and disappear
- If you are prompted to enter a pin, please enter 1234
- Select the tick box next to the printer you would like to pair

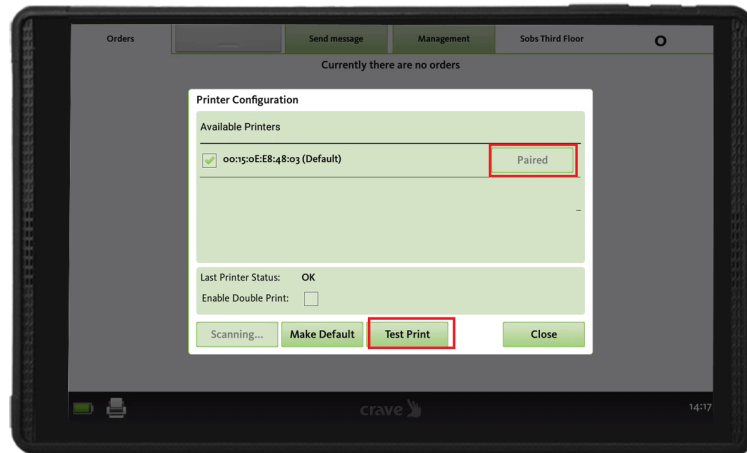
#### 6. Pairing is Completed

- Printer status will change to paired



## 7. Test Print

- Please select Test Print to validate the correct printer is paired to the console. You will now see a test printout from the printer



## How to Pair Your Printer

The following steps describe how to pair additional printer to other console. You will need the Test print out from the previous step.

1. Follow steps 1-4
  - Follow steps 1-4 at the beginning of this article
2. Additional Printer
  - You will see additional printers displayed in the printer configuration menu



### 3. Select Required Printer

- Select the printer you would like to pair
- You can check the Test print out from previous steps to ensure you are not pairing a duplicate printer